



Birzeit University
Faculty of Engineering & Technology
Department of Electrical & Computer Engineering
ENEE4302-Control Systems

“PLC in Control Circuits Prelab”

Student :Mohamad Bornat

Instructor:Dr.Hakam Shehadeh

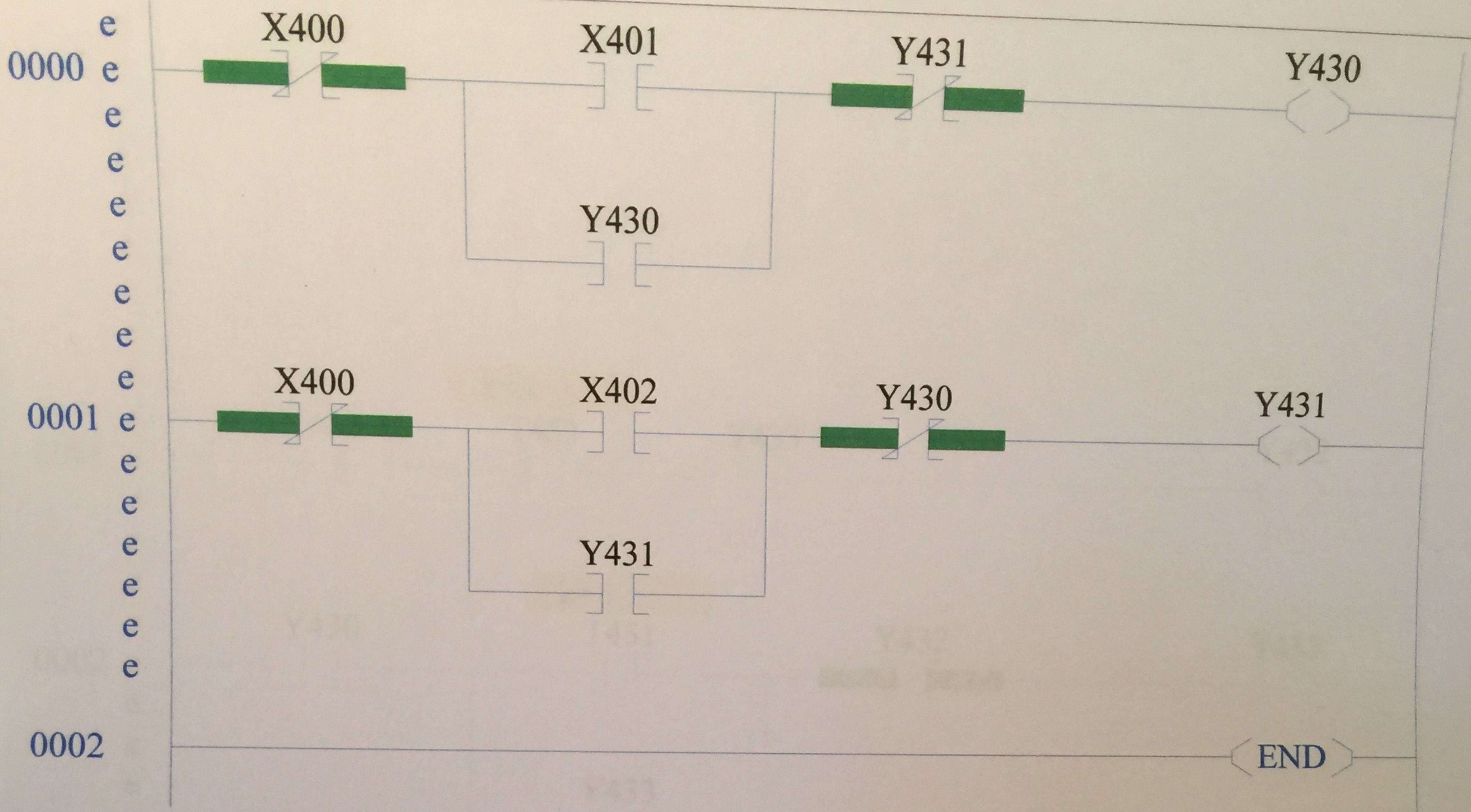
April,2018.

Abstract

This prelab aims to get hands on using PLC program to control different power circuits such as reversing the rotation direction of a motor, changing the connection of motor between Y & Δ and controlling simple traffic light using timers.

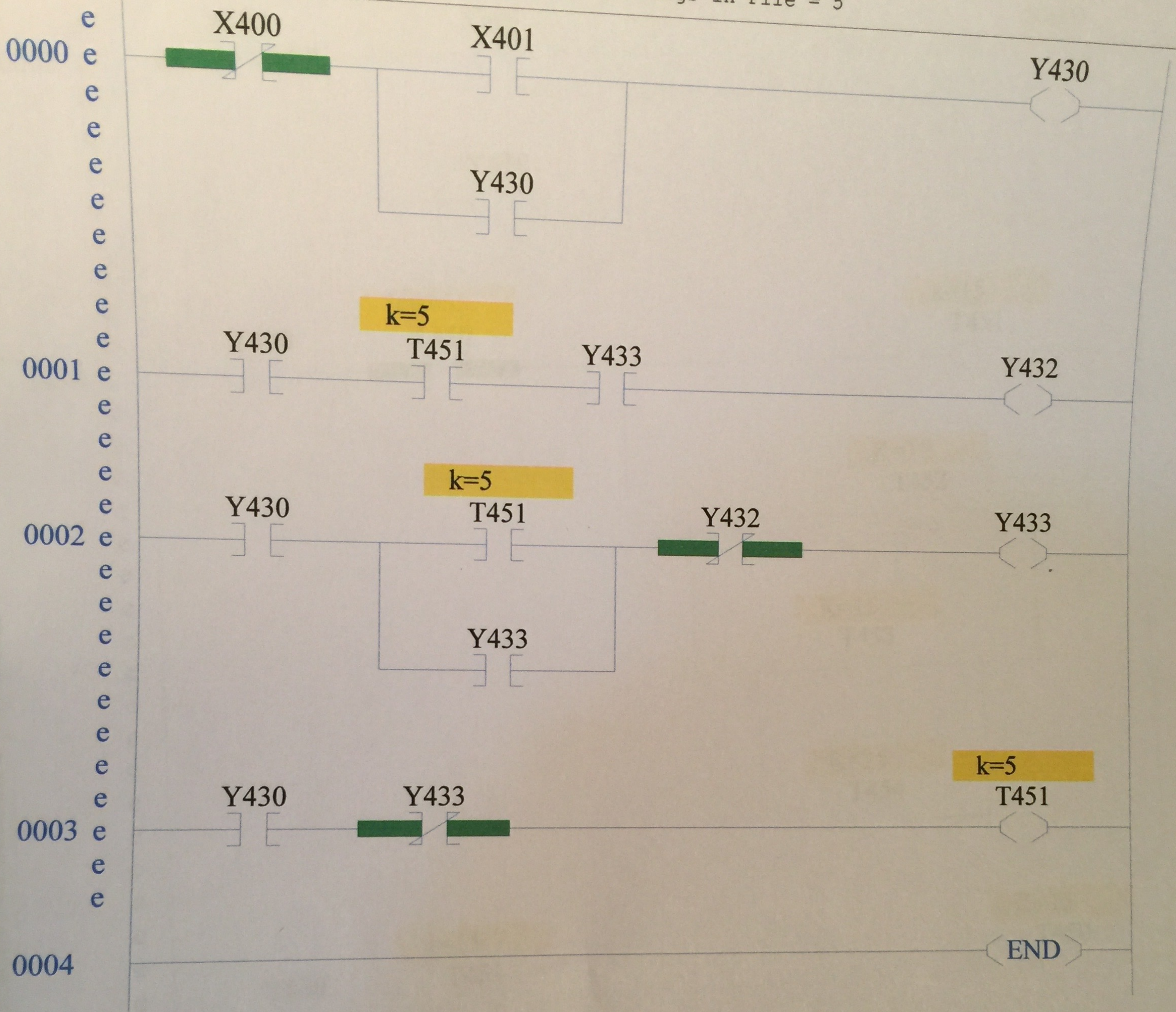
REVERSING MOTOR DIRECTION

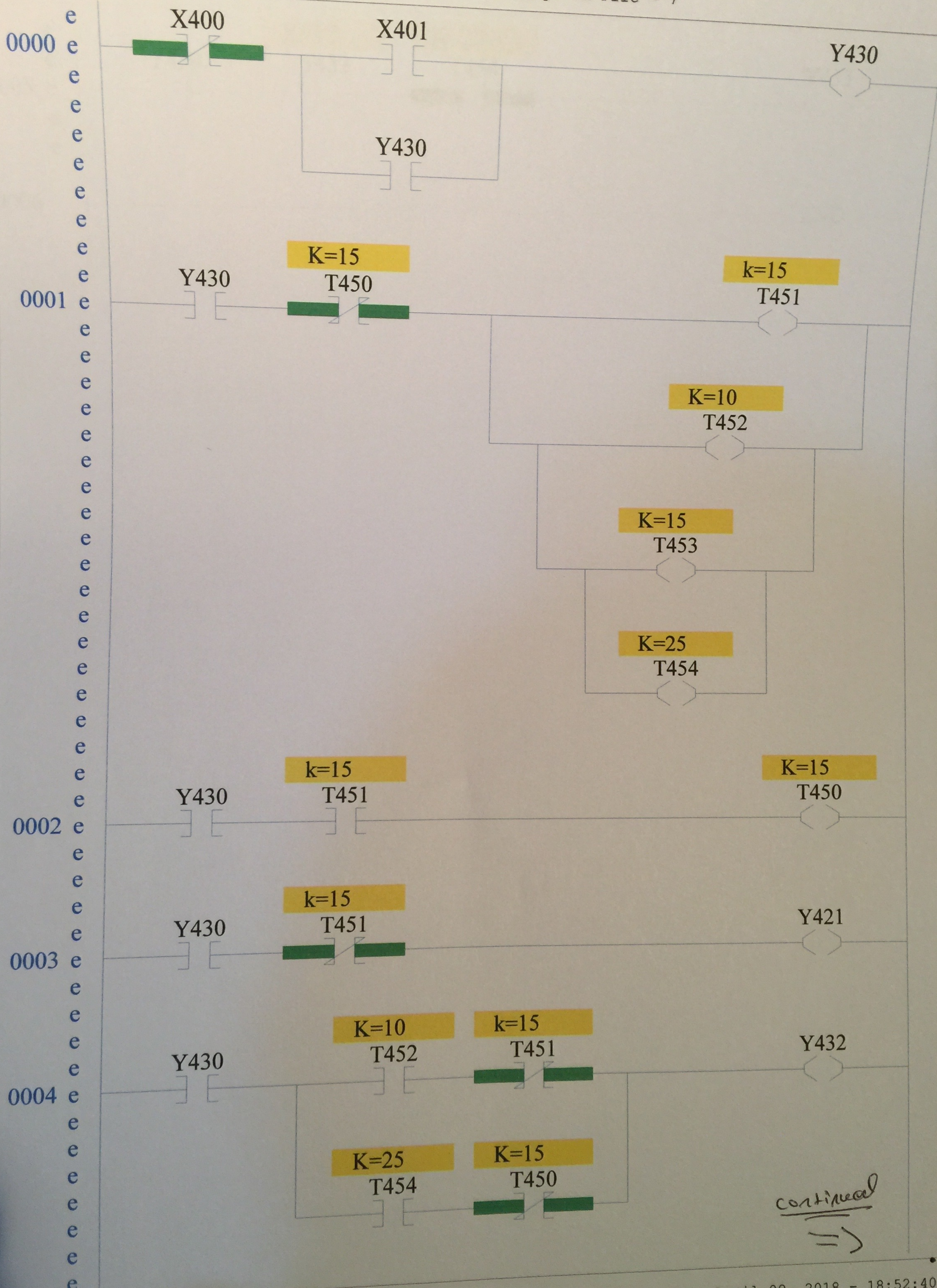
LAD 2 - --- Total Rungs in File = 3



WYE-DELTA STARTER

LAD 2 - --- Total Rungs in File = 5

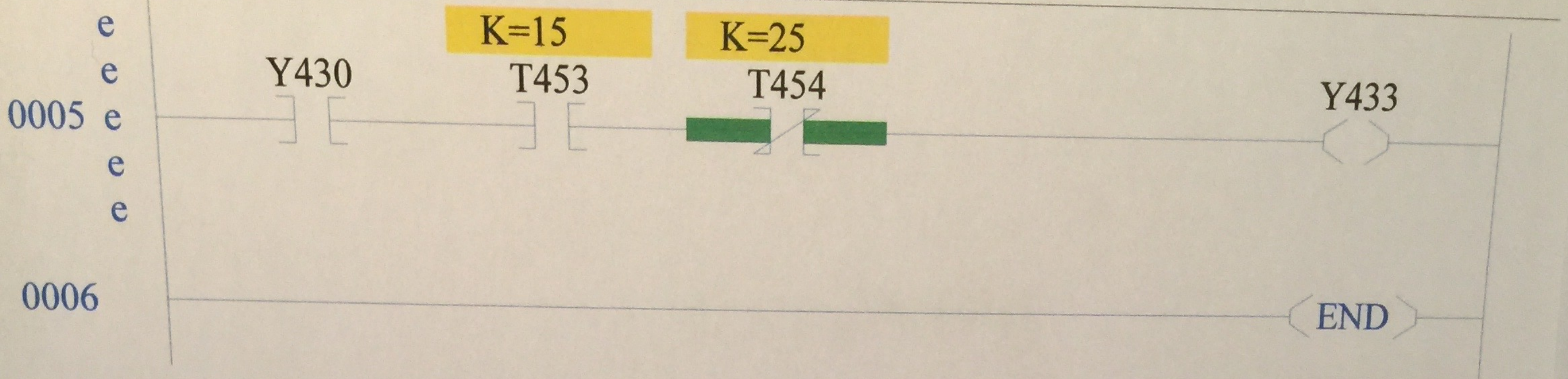




Continued
=>

TRAFFIC LIGHT CONTROLLER

LAD 2 - --- Total Rungs in File = 7



Conclusion

In this prelab RSlogix500 was used to build the ladder diagram of three different PLC programs to control the direction motor reversal, Y- Δ transformation and the traffic light.